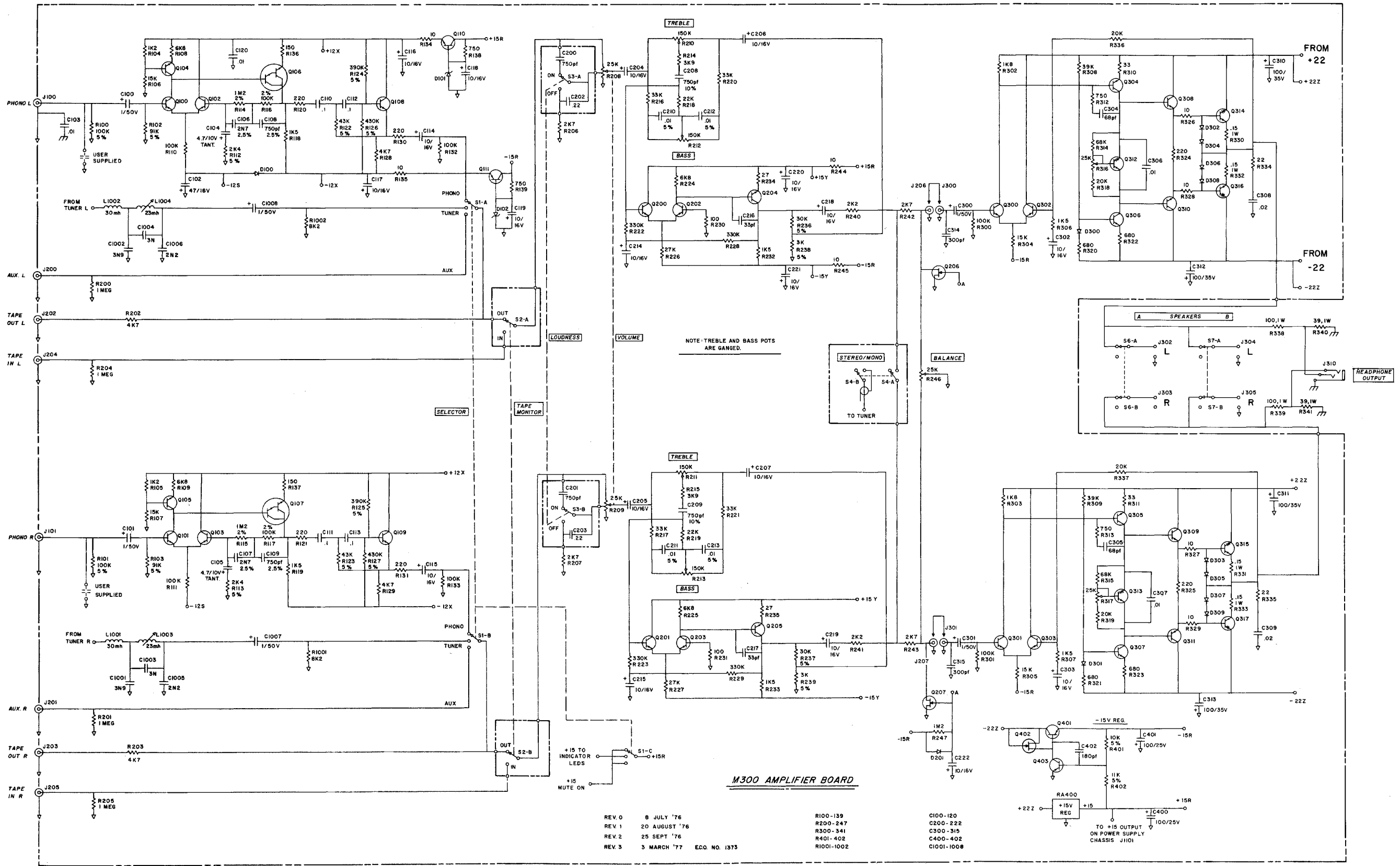


4.3 AMPLIFIER SCHEMATIC DIAGRAM



REV. 0 8 JULY '76  
 REV. 1 20 AUGUST '76  
 REV. 2 25 SEPT '76  
 REV. 3 3 MARCH '77 ECO. NO. 1373

R100-139  
 R200-247  
 R300-341  
 R401-402  
 R1001-1002

C100-120  
 C200-222  
 C300-315  
 C400-402  
 C1001-1008

TO +15 OUTPUT ON POWER SUPPLY CHASSIS J101