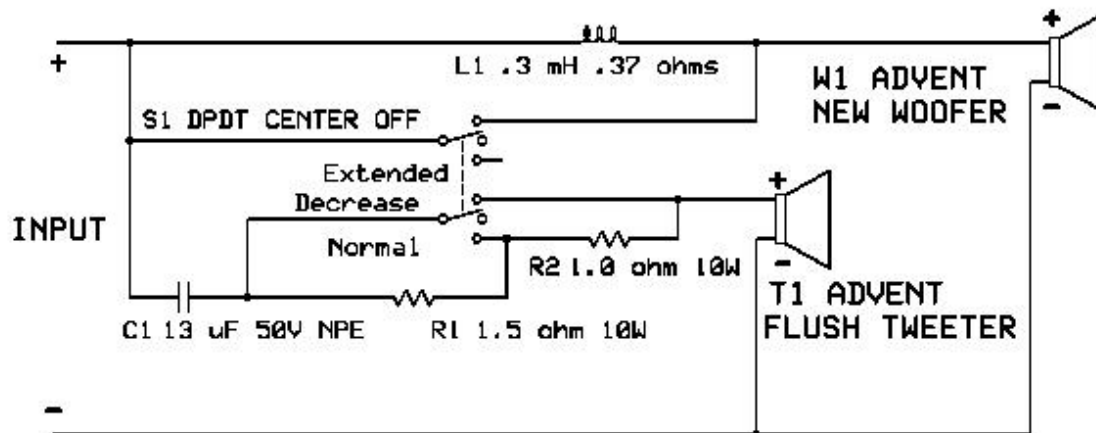


New Large Advent Crossover Schematic

Reverse Engineered by Pete B. August 2006



New Large Advent - these are original unmodified

Serial Numbers:	U3 96378	U3 96308
DESCRIPTION	MEASURED #1	MEASURED #2
T1 NEW LG TWEETER	2.33 Rvc	2.33 Rvc
W1 NEW LG WOOFER	Note 3	4.47 Rvc
C1 13uF 50V NPE	13.01uF	13.05 uF .65 ESR @ 1kHz
R1 1.5 Ohm 10W	1.53 R	1.56 R
R2 1.0 Ohm 10W	1.02 R	1.02 R
L1 .3 mH .37 ohms	.298 mH .36R	.305 mH .38R @ 1kHz
S1 DPDT CENTER OFF SWITCH		

NOTES:

1. Switch contacts - pass all < .01 ohms
2. Input terminals to solder lug - pass < .005 ohms
3. Woofer #1 DC resistance is 4.14 which is low, most NLA woofers measure 4.4 to 4.5 ohms
4. Woofers have been refoamed with new dust caps.
Fs measures high due to stiff foam.
These woofers will be replaced.